

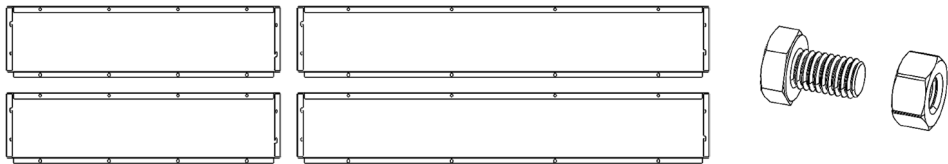


GARDEN COLLARS PREMIUM

Produced with high quality in Sweden - 5 years function guarantee - Stackable and with premium design



ASSEMBLE INSTRUCTIONS AND INFORMATION



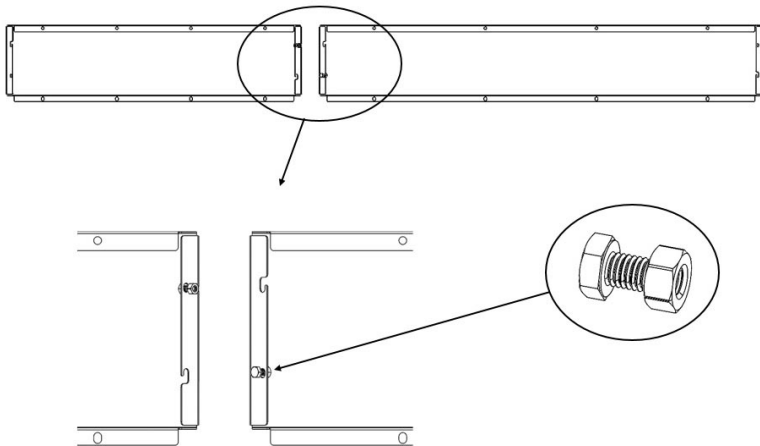
Garden Collars are made of galvanized sheet metal och Cor Ten metal that will rust in time. Wear gloves when you assemble our collars - specially if they are made of Cor Ten metal.

The first step is to take out the two long sides and two short sides from the packaging. At each end you have one drilled hole and one baoynet opening where you can heel on a screw. You also have the necessary screws and nuts in the packaging.

Now we are ready to make magic for the garden.

Insert the screws through the drilled holes. Note: **Only through** the drilled hole at each side. Then thread on a nut on the screw a little bit, just to get it attached.

When you are done and look at the two long sides and two short sides, you will have one screw and nut at every end. The bayonet openings are at this moment free from screws.

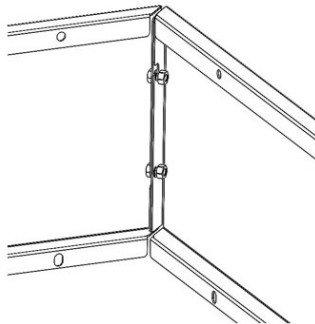
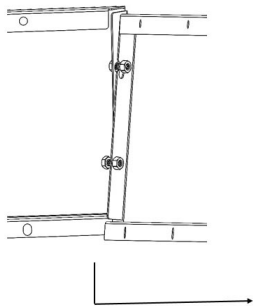


Then place all sides upside down. This will give you more stability when you assemble them. Put one long side to a short side and hang on the screws to the bayonet openings in the other side.

Angle out one of the sides a little bit (see picture). Start with the lower screw to be hung on to the other side. Then wiggle a bit to get the other screw in place. If you find it tricky - loosen the nut a little to get more room.

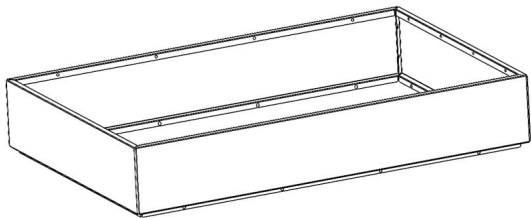
When it is attached correctly each side will be connected to the other by two screws.

Then screw the nuts a little tighter with a tool key. Not all the way. We tighten them all the way at the final step.



When all parts are put together then gently turn the collar in the right direction. Control that the edge bends are at the same level.

When all four parts look good together – take the tool key and tighten the nuts so it will be solid and tight.



Buy different stackable sizes.

ABOUT US

Bird & Monk has all its production in factories in Småland, Sweden.

We provide a five year function guarantee on our collars. If you have only followed the assembly instructions, you can then enjoy growing spices, berries and other things in your collars for a long time to come.

It is important to point out that what is filled inside the collar can affect the service life of the iron. For example, natural fertilizers are preferable to artificial fertilizers because the latter contain salts that affect the material.

Cor Ten can emit rust stains on the surface on which they stand or when touched. Rust stains fade in direct sunlight. Rust stains on concrete can be removed with oxalic acid. Dissolve 100 g of oxalic acid in a liter of water, dab or rub on the stain and wash with water.

When placing on wooden decks or patios, we recommend choosing a base plate with either wheels, spacers, small feet or legs. This guarantees ventilation under the cultivation bench, so you reduce the chances of the wood of your deck or patio can rot.

MORE PRODUCTS FROM BIRD & MONK



Bird & Monk Living AB
Gjuterigatan 9
553 18 Jönköping
Sweden

Contact: info@birdmonk.se



Our commitment and dedication

*Bird & Monk has always been about flair. And the swedish fika. Nothing new there under the sun =)
Simply a nice feeling. Here I want to be. Here I want to stay.*

*Bird & Monk. Two good guys. Buddies through life - with tilting baseball cap and a smile on the face.
Bird that likes green and makes things grow. Monk who creates a presence in furniture and interior design.
Together they form a relaxed community. An own Country Furniture and Interior Club, as they call it.*

*With beautiful in the garden. In the dining room. To the party. For everyday life.
Stylish design, function and durable products.*

*Our products are locally produced in Småland in Sweden. In factories who are certified in ISO-standards and
work with sustainability issues. Products with high quality, very high delivery precision and products with long
lifetime.*

We guarantee least five years of function with our products.

Just follow our care advices and you will enjoy our products for many years.

Welcome to Bird & Monk. A given choice.

